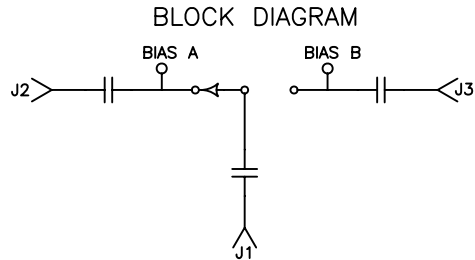


DESCRIPTION

AMC MODEL SWN-2181-2A-010-ROJ IS AN ABSORPTIVE/NON-REFLECTIVE SINGLE POLE TWO THROW SWITCH DESIGNED TO OPERATE OVER THE FULL 2 TO 18 GHz FREQUENCY RANGE WITH

SPECIFICATIONS

- FREQUENCY RANGE: 2 TO 18 GHz
- INSERTION LOSS: 3.5 dB MAXIMUM
- ISOLATION: 55 dB MINIMUM
- VSWR (ON/OFF): 2.0:1
- RISE TIME: 50 nSec MAXIMUM
- FALL TIME: 50 nSec MAXIMUM
- POWER INPUT: (CW)+20 dBm (STANDARD), +10 dBm (HIGH SPEED)
- SURVIVAL POWER: 1 WATT CW, 10 WATTS PEAK 1 uSec
- CONTROL: TTL LOGIC "0" = J1-J2 ON
TTL LOGIC "1" = J1-J3 ON
- POWER SUPPLY: +5V @ 65 mA MAXIMUM
-12V @ 50 mA MAXIMUM
- CONNECTORS:
RF: SMA FEMALE
CONTROL: SOLDER PIN
- SIZE: 0.80" (L) x 0.62" (W) x 0.38" (H)



| LOGIC TABLE | | | |
|-------------|-------|--------|--|
| LOGIC | RF ON | RF OFF | |
| 0 | J1-J2 | J1-J3 | |
| 1 | J1-J3 | J1-J2 | |

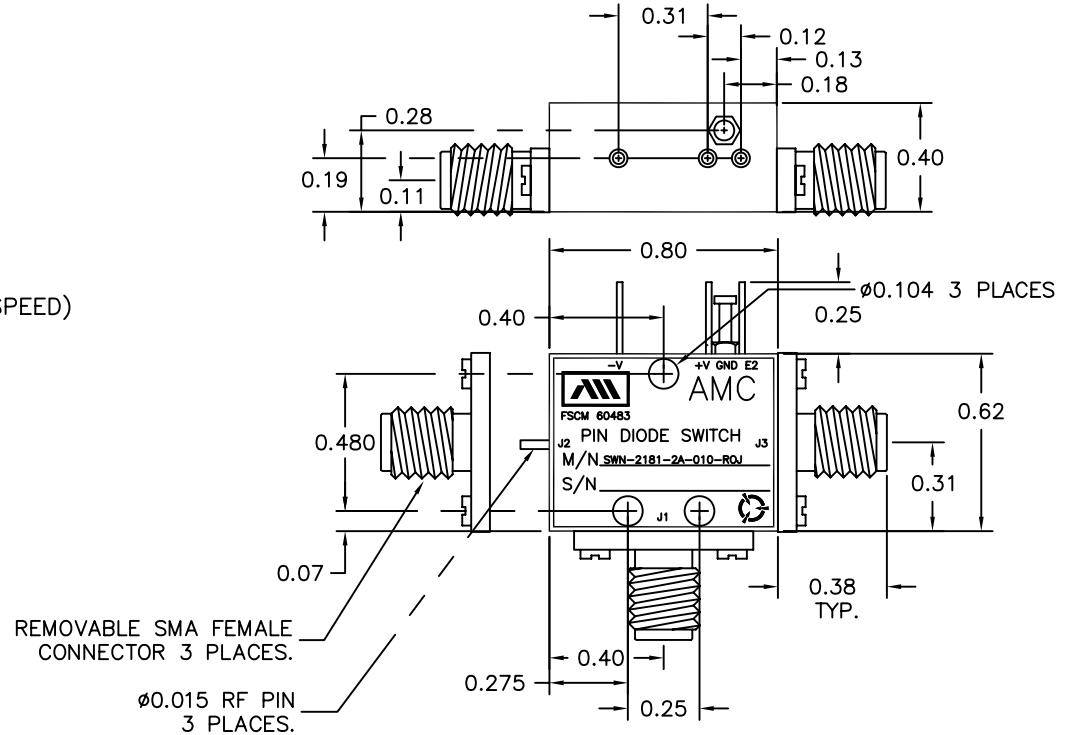
ENVIRONMENTAL RATINGS:

- TEMPERATURE: -55°C TO +85°C (OPERATING)
-65°C TO +125°C (STORAGE)
- HUMIDITY: MIL-STD-202F, METHOD 103B COND. B
- SHOCK: MIL-STD-202F, METHOD 213B COND. B
- VIBRATION: MIL-STD-202F, METHOD 204D COND. B
- ALTITUDE: MIL-STD-202F, METHOD 105C COND. B
- TEMPERATURE CYCLE: MIL-STD-202F, METHOD 107D COND. A

NOTE: SPECIFICATIONS WILL VARY OVER OPERATING TEMPERATURE
NOTE: THE ABOVE SPECIFICATIONS ARE SUBJECT TO CHANGE OR REVISION

ALL DIMENSIONS ARE IN INCHES
TOLERANCES:
X.XX ±0.020
X.XXX ±0.010

| REVISIONS | | | | |
|-----------|------|-------------------------------|---------|----------|
| ZONE | REV. | DESCRIPTION | DATE | APPROVED |
| | - | ORIGINAL RELEASE JOB# 502060X | 9/19/05 | |



AMERICAN MICROWAVE CORPORATION

7311-G GROVE ROAD
FREDERICK, MARYLAND 21704 USA
TEL: 301-662-4700 FAX: 301-662-4938
WEBSITE: www.americanmicrowavecorp.com
E-MAIL: sales@americanmicrowavecorp.com
ISO 9001:2000 CERTIFIED



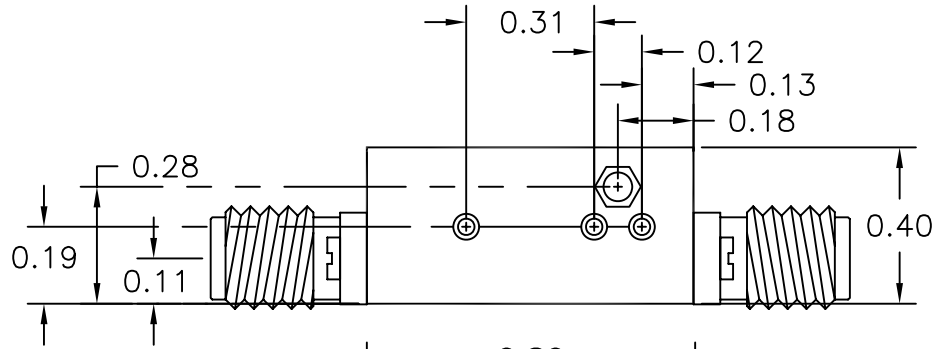
| APPROVALS | | DATE | TITLE | | |
|------------------|----------|----------|--|--|--|
| DRAWN <i>JDJ</i> | | 9/19/05 | PRODUCT FEATURE | | |
| CHECKED | | | SWN-2181-2A-010-ROJ | | |
| ISSUED | | | 2 - 18 GHz. SINGLE POLE TWO THROW SWITCH | | |
| SIZE | FSCM NO. | DWG NO. | REV. | | |
| A | 60483 | 100-7387 | - | | |
| SCALE N:S | | | SHEET 1 OF 3 | | |

DESCRIPTION

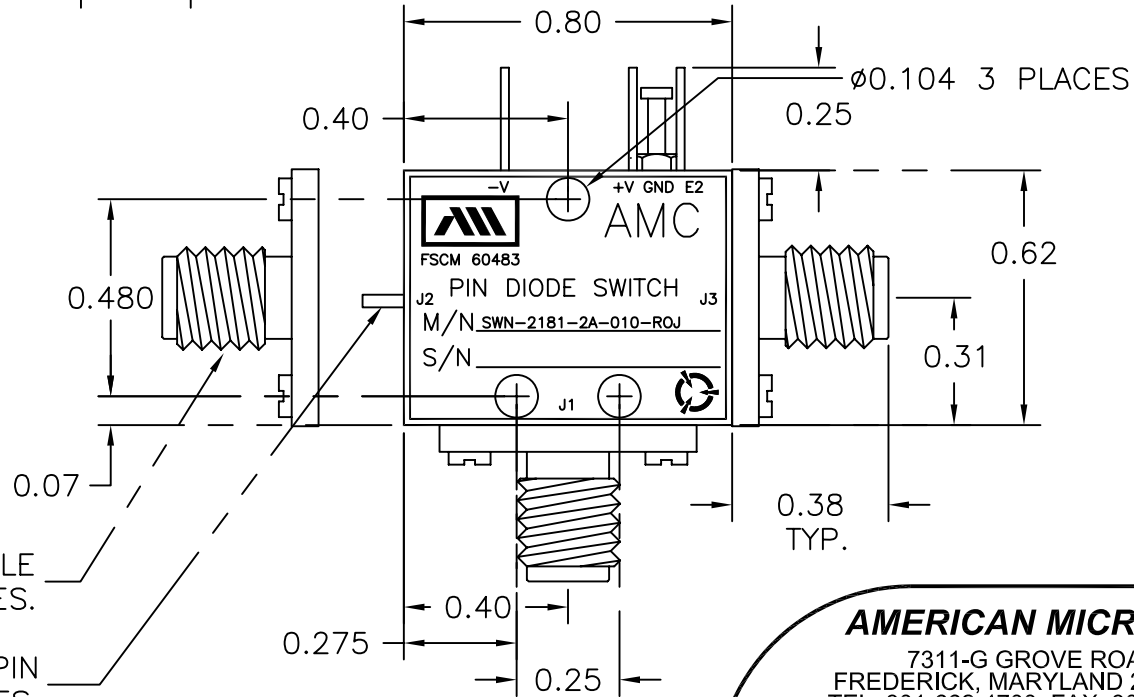
AMC MODEL SWN-2181-2A-010-ROJ IS AN ABSORPTIVE/NON-REFLECTIVE SINGLE POLE TWO THROW SWITCH DESIGNED TO OPERATE OVER THE FULL 2 TO 18 GHz FREQUENCY RANGE WITH

| REVISIONS | | | | |
|-----------|------|-------------------------------|---------|----------|
| ZONE | REV. | DESCRIPTION | DATE | APPROVED |
| | - | ORIGINAL RELEASE JOB# 502060X | 9/19/05 | |

| LOGIC TABLE | | | |
|-------------|-------|--------|--|
| LOGIC | RF ON | RF OFF | |
| 0 | J1-J2 | J1-J3 | |
| 1 | J1-J3 | J1-J2 | |



MECHANICAL OUTLINE



REMOVABLE SMA FEMALE CONNECTOR 3 PLACES.

Ø0.015 RF PIN 3 PLACES.

AMERICAN MICROWAVE CORPORATION

7311-G GROVE ROAD
 FREDERICK, MARYLAND 21704 USA
 TEL: 301-662-4700 FAX: 301-662-4938
 WEBSITE: www.americammicrowavecorp.com
 E-MAIL: sales@americammicrowavecorp.com
 ISO 9001:2000 CERTIFIED



ALL DIMENSIONS ARE IN INCHES
 TOLERANCES:
 X.XX ±0.020
 X.XXX ±0.010

| APPROVALS | | DATE | TITLE | | |
|------------------|----------|----------|--|--|--|
| DRAWN <i>JDJ</i> | | 9/19/05 | MECHANICAL OUTLINE | | |
| CHECKED | | | SWN-2181-2A-010-ROJ | | |
| ISSUED | | | 2 - 18 GHz. SINGLE POLE TWO THROW SWITCH | | |
| SIZE | FSCM NO. | DWG NO. | REV. | | |
| A | 60483 | 100-7387 | - | | |
| SCALE N:S | | | SHEET 2 OF 3 | | |